

Frequency Signal (FV/ FI conversion) Isolation Converter IC

Sine wave, square wave, saw wave and other pulse frequency signals conversion to analog signal

ISO F-P-O Series

Features:	Applications:
<ul style="list-style-type: none"> • Precision grade: 0.1 0.2 0.5. • High linearity in full scale (non-linearity <0.1%) • 3kVDC isolation voltage among auxiliary power/signal input/signal output • Auxiliary power: 5VDC, 12VDC, 24VDC. • Converts 0-1KHz/0-5KHz/0-10KHz and other frequency signals into standard 0-75mV/0-2.5V/0-5V/0-10V voltage signal or 0-10mA/0-20mA/4-20mA current signal. • Small size SIP-16Pin, in accordance with UL94V-0. • Industrial operating temperature: -40~+85 °C 	<ul style="list-style-type: none"> • Sine wave, square wave, saw wave signal isolated conversion and amplification. • Frequency sensor signal acquisition, isolated conversion. • Frequency transducer(FA) frequency signal data acquisition and controlling. • Generator, electric motor and other rotating equipment speed monitoring. • Transformer operating frequency detection. • Meters, instruments and sensor signal collection and transmission. • Non-electric signal transmission.

Introduction

SUNYUAN ISO Series frequency signal isolated converter is a kind of hybrid integrated circuit IC which converts sine wave, square wave, saw wave frequency signals into standard signal based on rated proportion. Inside the circuit, it has integrated one set of multi-channel high isolation DC/DC module and a piece of high efficient frequency signal isolation converter. The isolated converter can be applied in various types of frequency signal isolation and conversion. The SMD technique and new high-tech structures used make the 3kVDC isolation among auxiliary power, I/O and can meet the requirements in industrial operating temperature range, humidity, vibration and other extreme conditions. ISO series frequency signal isolated converter is easy to achieve the frequency signal transmission only with few external components.

Max. Rated Value: (If exceed this range, may cause unrepairable defects.)

Continuous Isolation Voltage	3KVDC/rms
PW input range	±25%Vdd
Junction (ambient)Temperature	- 45°C ~ + 85°C
Lead Temperature (<10s)	+300°C
Output Voltage Min. Load	2KΩ

Model Selection:

ISO F□-P□-O□		
Input Frequency	Auxiliary Power	Output
F1: 0-1KHZ	P1: 24VDC	O1: 4-20mA
F2: 0-5KHZ	P2: 12VDC	O2: 0-20mA
F3: 0-10KHZ	P3: 5VDC	O4: 0-5V
F8: Customized	P4: 15VDC	O5: 0-10V
	P8: Customized	O6: 1-5V
		O8: Customized

Model Selection Examples:

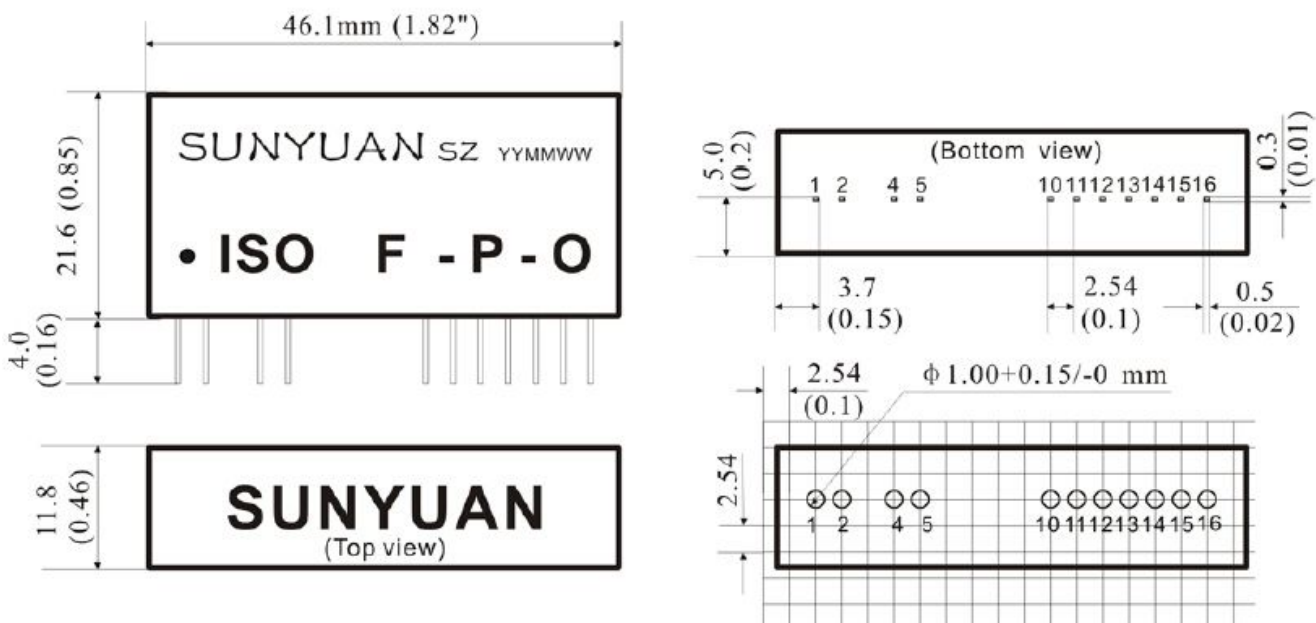
E.g.1: Signal Input: 0-1KHZ, Signal Output: 4-20 mA; Auxiliary Power: 24V, SIP 16 Package.
Product Model No: ISO F1-P1-O1

E.g.2: Signal Input: 0-10KHZ, Signal Output: 0-5V; Auxiliary Power: 12V, SIP 16 Package.
Product Model No: ISO F3-P2-O4

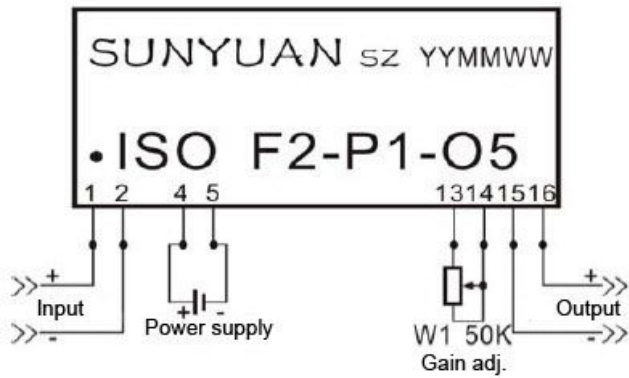
Technical Parameters

Items	Testing Conditions	Min.	Typical Value	Max.	Unit	
Isolated Voltage	AC,50Hz,1min	1000	1500		V(rms)	
Signal Input	Frequen	0	1000	20000	Hz	
	Voltage	2.5	5	50	V _{P-P}	
Gain	Voltage	50k potentiometer	1		KHZ/V	
	Current	50k potentiometer	1/4		KHZ/mA	
Gain Temp. Drift			100		ppm/°C	
Non-linearity			0.1		%FSR	
Input Offset Voltage			1	5	mV	
Signal Output			5	10	V	
Load capacity	Vout=10V	1	2		kΩ	
Signal Output Ripple	Without filtering		5	7	mV	
Signal Volt. Temp. Drift			25		μV/°C	
Referential Volt.	Output current <50mA		5		V	
Auxiliary Power	Voltage	User defined	3.3	12	24	VDC
	Current	VD=24V		30		mA
Power Output Ripple	Without filtering	10			mV	
Operating/Ambient		-20		85	°C	
Storage Temp.		-40		125	°C	

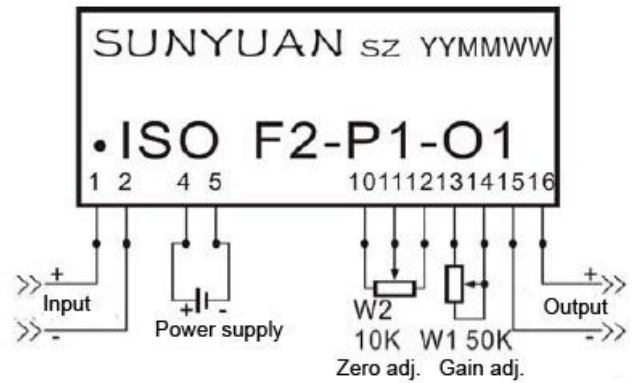
Dimension and Pin Definition:



Typical Applications:



频率输入电压输出 (FV) 应用接线图



频率输入电流输出 (FI) 应用接线图

Frequency Signal to Voltage Type Pin Definition

Signal Input +	Signal Input GND	NC	Input Auxiliary Power +	Input Auxiliary Power -	NC	Gain Adj. Terminal #1 50K	Gain Adj. Terminal #2 50K	Isolated Signal Output -	Isolated Signal Output +
IN+	GND1	NC	VD+	VD-	NC	ADJ	ADJ	GND2	Vout+
1	2	3	4	5	6~12	13	14	15	16

Frequency Signal to Current Type Pin Definition

Signal Input +	Signal Input GND	NC	Auxiliary Power +	Auxiliary Power -	NC	Zero Adj. pin #1 10K	Zero Adj. pin #2 10K	Zero Adj. pin# 3 10K	Gain Adj. pin# 1 50K	Gain Adj. pin# 2 50K	Isolated Signal Output -	Isolated Signal Output +
IN+	GND1	NC	VD+	VD-	NC	ZA1	ZA2	ZA3	ADJ	ADJ	Iout-	Iout+
1	2	3	4	5	6~9	10	11	12	13	14	15	16

Product Show:

ISO9001:2008



*Note: the specification is subject to change without notice.